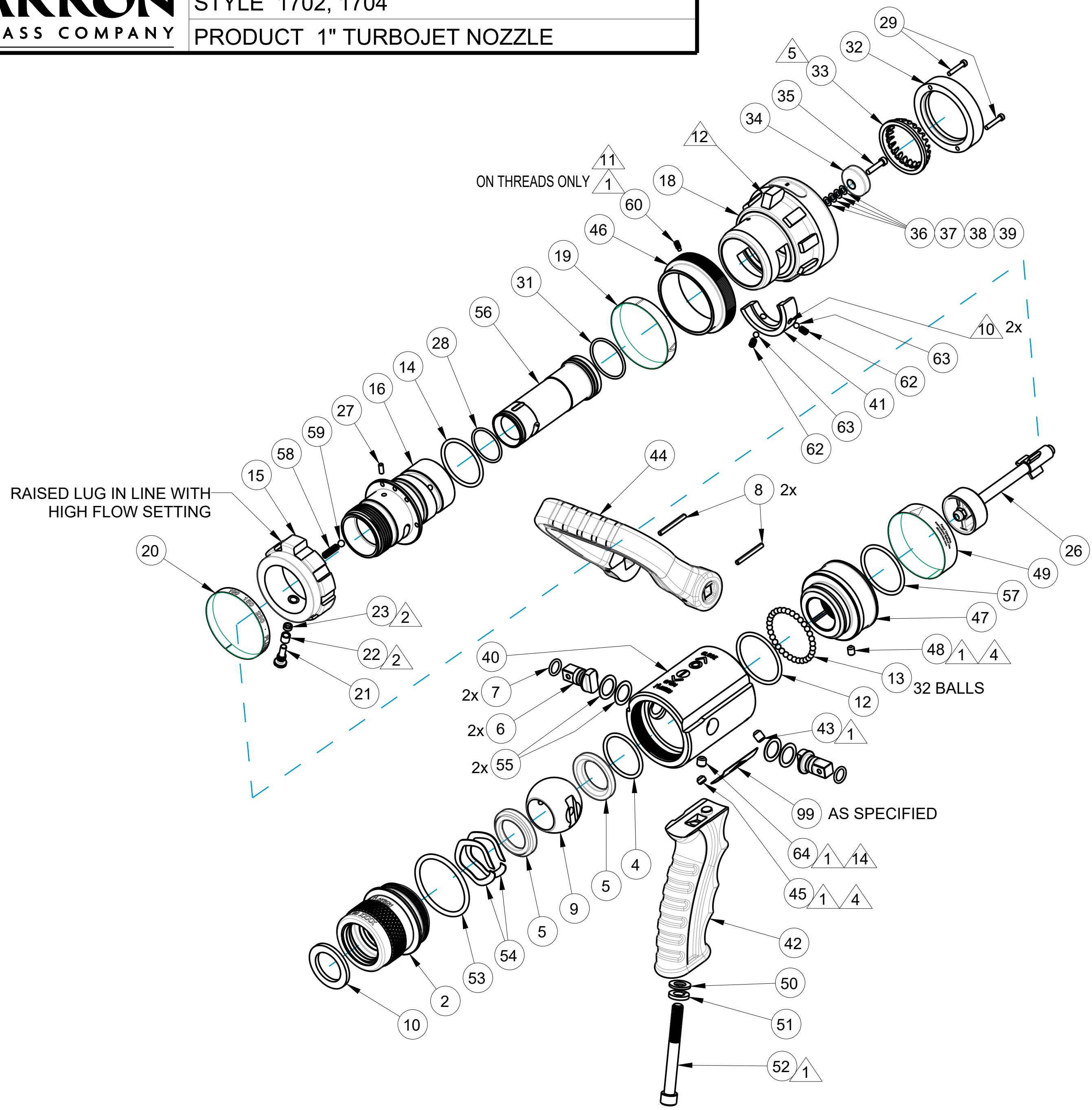




**TECHNICAL SERVICE PARTS**  
**STYLE 1702, 1704**  
**PRODUCT 1" TURBOJET NOZZLE**

IF AN ITEM IS NOTED AS "NOT FIELD REPAIRABLE", OR YOU WISH TO RETURN AN ITEM TO AKRON BRASS FOR SERVICE PLEASE GO ONLINE TO, [ONLINEREPAIR.AKRONBRASS.COM](http://ONLINEREPAIR.AKRONBRASS.COM)

Chg.	Date
02	03-20
03	10-21



- ASSEMBLY NOTES:**
- USE PARKER O-LUBE ON ALL O-RINGS AND MATING SURFACES UNLESS OTHERWISE NOTED.
- ▲ 1 USE PERMABOND LM113 OR LOCTITE 222.
  - ▲ 2 USE LOW-TEMP LUBRIPLATE.
  - ▲ 4 DIMPLE AT ASSEMBLY.
  - ▲ 5 DO NOT CUT TURBINE TEETH.
  - ▲ 10 STAKE AT ASSEMBLY.
  - ▲ 11 TIGHTEN SCREW.
  - ▲ 12 RAISED LUG IN LINE WITH NARROW FOG FOR EN AND MED NOZZLES ALL OTHERS IN LINE WITH STRAIGHT STREAM.
  - ▲ 14 USED WHEN PISTOL GRIP IS NOT INSTALLED.

PHONE: 800.228.1161 | [www.akronbrass.com](http://www.akronbrass.com)

**WARRANTY AND DISCLAIMER\*:** We warrant Akron Brass products for a period of five (5) years\* after purchase against defects in materials or workmanship. Akron Brass will repair or replace product which fails to satisfy this warranty. Repair or replacement shall be at the discretion of Akron Brass. Products must be promptly returned to Akron Brass for warranty service. We will not be responsible for: wear and tear; any improper installation, use, maintenance or storage; negligence of the owner or user; repair or modification after delivery; failure to follow our instructions or recommendations; or anything else beyond our control. WE MAKE NO WARRANTIES, EXPRESS OR IMPLIED, OTHER THAN THOSE INCLUDED IN THIS WARRANTY STATEMENT, AND WE DISCLAIM ANY IMPLIED WARRANTY OF MERCHANTABILITY OR FITNESS FOR ANY PARTICULAR PURPOSE. Further, we will not be responsible for any consequential, incidental or indirect damages (including, but not limited to, any loss of profits) from any cause whatsoever. No person has authority to change this warranty. \*Unless otherwise provided herein. Akron Brass industrial electronic components & the Severe-Duty Monitor have a one (1) year warranty. Select Akron Brass handline nozzles and valves carry a ten (10) year warranty. Scene Star Lights carry a (6) year warranty. Weldon products have a two (2) year warranty from date of manufacture (excluding consumable components). Select Weldon LED products carry a five (5) year warranty. Honda products have the manufacturers' warranty and Akron Brass disclaims any warranty in respect of those products.

© 2016 Akron Brass Company. All rights reserved. No portion of this can be reproduced without the express written consent of the Akron Brass Company.

Parts List Sheet:  
**127482**

D48921



**TECHNICAL SERVICE PARTS**  
**STYLE 1702, 1704**  
**PRODUCT 1" TURBOJET NOZZLE**

IF AN ITEM IS NOTED AS "NOT FIELD REPAIRABLE", OR YOU WISH TO RETURN AN ITEM TO AKRON BRASS FOR SERVICE PLEASE GO ONLINE TO, [ONLINEREPAIR.AKRONBRASS.COM](http://ONLINEREPAIR.AKRONBRASS.COM)

Chg.	Date
02	03-20
03	10-21

FIND		DESCRIPTION	ITEM	QTY
2	*	SWIVEL S/A 1.0"NH	45104001	1
2	*	SWIVEL S/A 1.0"NPSH	45104002	1
2	*	SWIVEL S/A 1.0"BSP	45104003	1
4	A	O-RING 2-125	757281	1
5	A	SEAT NOZZLE	769245	2
6		TRUNNION	127429	2
7	A	O-RING 2-012	757282	2
8	A,E	PIN ROLL 1/8" x 1-1/8"	744080	2
9	A	BALL 1"	704490	1
10	A,**	GASKET	717047	1
12	C	O-RING 2-128	757283	1
13	B	BALL BRASS 5/32"DIA.	-	32
14	C	O-RING 2-126	757311	1
15		RING GALLONAGE CONTROL	758271	1
16		BODY NOZZLE - 1702	127474	1
16		BODY NOZZLE - 1704 (2 FLOW SETTINGS)	127491	1
16		BODY NOZZLE - 1704 (3 FLOW SETTINGS)	127492	1
18		BUMPER/PATTERN SLEEVE S/A	17024007	1
19		BAND PATTERN INDICATOR RED - 1702	803385	1
19		BAND PATTERN INDICATOR RED - 1704 (2 FLOW SETTINGS)	803387	1
19		BAND PATTERN INDICATOR RED - 1704 (3 FLOW SETTINGS)	803412	1
20		BAND GALLONAGE CONTROL 50-230LPM ENGLISH RED	803216	1
20		BAND GALLONAGE CONTROL 13-60GPM ENGLISH RED	803217	1
20		BAND GALLONAGE CONTROL 50-230LPM@6bar ENGLISH RED	803380	1
20		BAND GALLONAGE CONTROL 50-115LPM@6bar ENGLISH RED (3 FLOW SETTINGS)	803457	1
21	C	AXLE CAM	707252	1
22	C	ROLLER CAM UPPER	758211	1
23	C	ROLLER CAM LOWER	758210	1
26		STEM/SPIDER S/A	125218	1
27	C	KEY DISCHARGE	727034	1
28	C	O-RING 2-021	757344	1
29		SCREW SOCKET HEAD CAP #4-40 x 5/8"	767094	2
31	C	O-RING 2-025	757242	1
32		RETAINER TURBINE	756207	1
33	A,C	TURBINE TEETH	772024	1
34		BAFFLE HEAD 100PSI/7bar/700kPa	127479	1
34		BAFFLE HEAD 87PSI/6bar/600kPa	127481	1
34		BAFFLE HEAD 75PSI/5bar/500kPa	127480	1
35		SCREW SOCKET HEAD CAP #6-32 x 5/8"	765179	1

FIND		DESCRIPTION	ITEM	QTY
36	***	SHIM BAFFLE BLUE	-	1
37	***	SHIM BAFFLE BROWN	-	1
38	***	SHIM BAFFLE PINK	-	1
39	***	SHIM BAFFLE GREEN	-	1
40		BODY SHUTOFF	127242	1
41		INSERT CAM	723023	1
42	D	GRIP PISTOL	718330	1
43		SCREW SOCKET HEAD CUP POINT SET NYLOCK 1/4-20 x 5/16"	766015	1
44	E	HANDLE SHUTOFF	721760	1
45		SCREW SOCKET HEAD CUP POINT SET 1/4 -20 x 1/4"	765002	1
46		RING PATTERN SLEEVE	758335	1
47		ADAPTER BASE	127459	1
48		SCREW SOCKET HEAD CUP POINT SET #10-24 x 1/4"	765025	1
49	C	BAND INDICATOR ENGLISH RED	803366	1
50	D	WASHER FLAT 5/16"	784093	1
51	D	WASHER LOCK 5/16"	784090	1
52	D	SCREW SOCKET HEAD CAP 5/16-18 x 2-3/4"	765397	1
53	A	O-RING 2-225	757375	1
54		SPRING	768272	2
55		CELCON SHIM	769351	4
56		TUBE DISCHARGE - 1702	127475	1
56		TUBE DISCHARGE - 1704 (2 FLOW SETTINGS)	127490	1
56		TUBE DISCHARGE - 1704 (3 FLOW SETTINGS)	127493	1
57	C	O-RING 2-127	757048	1
58	C	SPRING DETENT	769111	1
59	C	BALL STAINLESS STEEL 3/16" DIA.	704018	1
60		SCREW SOCKET HEAD FULL DOG SET #6-32 x 1/4"	767191	1
62	C	SPRING	768293	2
63	C	BALL STAINLESS STEEL 5/32" DIA.	704585	2
64		SCREW SOCKET HEAD CUP POINT SET 5/16-18 X 1/4"	765071	1
99		LABEL FM	729669	1
99		LABEL EN	729890	1

A	FIELD SERVICE KIT (FOR 2000 - CURRENT)	91800001
B	KIT OF 50 BALLS 5/32" BRASS	109042
C	1" TURBOJET (DISCHARGE END) REPAIR KIT	17020526
D	KIT SERVICE PISTOL GRIP W/COLOR CLIPS	90040001
E	KIT SERVICE 1.5" BALE W/COLOR CLIPS	90060001
F	KIT SERVICE BALE & PISTOL GRIP COLOR CLIPS ONLY	90070001

\* FOR OTHER THREADS ORDER BY DESCRIPTION AND THREAD SIZE.  
 \*\* GASKET ITEM 10 INCLUDED IN SWIVEL SUB ASSEMBLY ITEM 2  
 \*\*\* SHIMS INSTALLED AT FACTORY AS NEEDED FOR FINAL FLOW CALIBRATION.  
 #### FOR OTHER AVAILABLE OPTIONS, INLET ADAPTERS AND KITS  
 GO TO [akronbrass.com](http://akronbrass.com) - REFERENCE DOCUMENT 127762

PHONE: 800.228.1161 | [www.akronbrass.com](http://www.akronbrass.com)

Parts List Sheet:

**127482**

**WARRANTY AND DISCLAIMER:** We warrant Akron Brass products for a period of five (5) years\* after purchase against defects in materials or workmanship. Akron Brass will repair or replace product which fails to satisfy this warranty. Repair or replacement shall be at the discretion of Akron Brass. Products must be promptly returned to Akron Brass for warranty service. We will not be responsible for: wear and tear; any improper installation, use, maintenance or storage; negligence of the owner or user; repair or modification after delivery; failure to follow our instructions or recommendations; or anything else beyond our control. WE MAKE NO WARRANTIES, EXPRESS OR IMPLIED, OTHER THAN THOSE INCLUDED IN THIS WARRANTY STATEMENT, AND WE DISCLAIM ANY IMPLIED WARRANTY OF MERCHANTABILITY OR FITNESS FOR ANY PARTICULAR PURPOSE. Further, we will not be responsible for any consequential, incidental or indirect damages (including, but not limited to, any loss of profits) from any cause whatsoever. No person has authority to change this warranty. \*Unless otherwise provided herein. Akron Brass industrial electronic components & the Severe-Duty Monitor have a one (1) year warranty. Select Akron Brass headline nozzles and valves carry a ten (10) year warranty. Scene Star Lights carry a (6) year warranty. Weldon products have a two (2) year warranty from date of manufacture (excluding consumable components). Select Weldon LED products carry a five (5) year warranty. Honda products have the manufacturers' warranty and Akron Brass disclaims any warranty in respect of those products.  
 © 2016 Akron Brass Company. All rights reserved. No portion of this can be reproduced without the express written consent of the Akron Brass Company.